



LTEM NO.: SNO-1303-C (Consumer Electronics)

(13.5L × 12.3W × 1.37H & NANO-SIM Sockets)

MEMORY-CARD-SOCKETS



Technical parameter

表面贴装 SMT

| PROJECT | LEVEL | LEVEL | |
|------------------------------|----------------------------|-----------------------------|----------------------|
| | | A[better product] | B[average product] |
| Electrical Properties | Contact Rating | 50mA, 24V DC | |
| | Initial Contact Resistance | 50mΩ max. | 80mΩ max. |
| | Insulation Resistance | 100MΩ min.500V DC | |
| | Withstand Voltage | 500V AC for 1 minute | 350 V AC for 1 minut |
| | Durable Performance | There No Load | 5,000 Cycles |
| Rated Load | | 3,500 Cycles | 2,500 Cycles |
| Storage temp. | | -35℃~+75℃(Operating Temp:) | |

側向操作 LATERAL

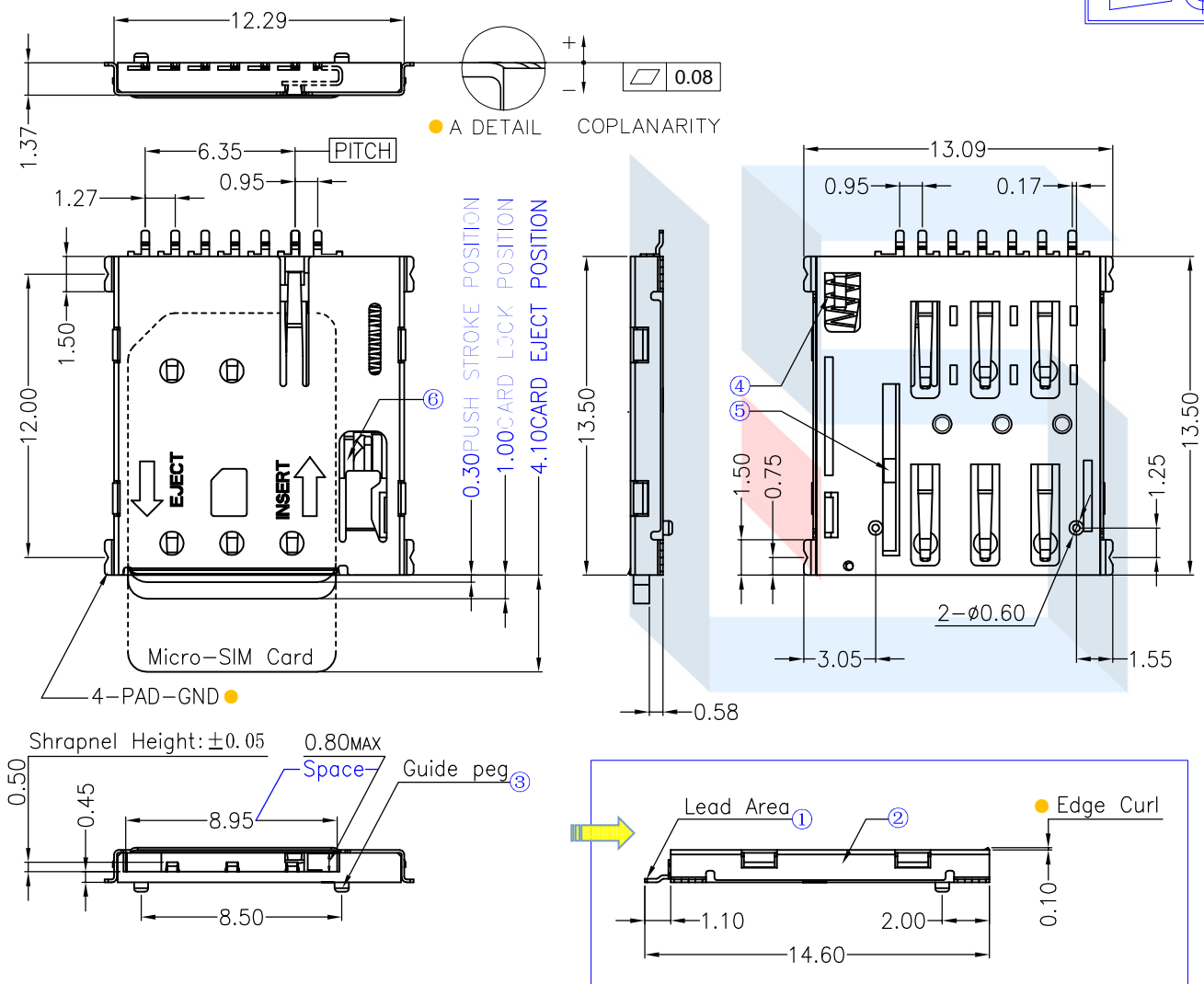
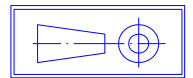
精密部品 NICETY

可靠 STABILIZE

適合環保 RoHS

Page1

Unit:mm



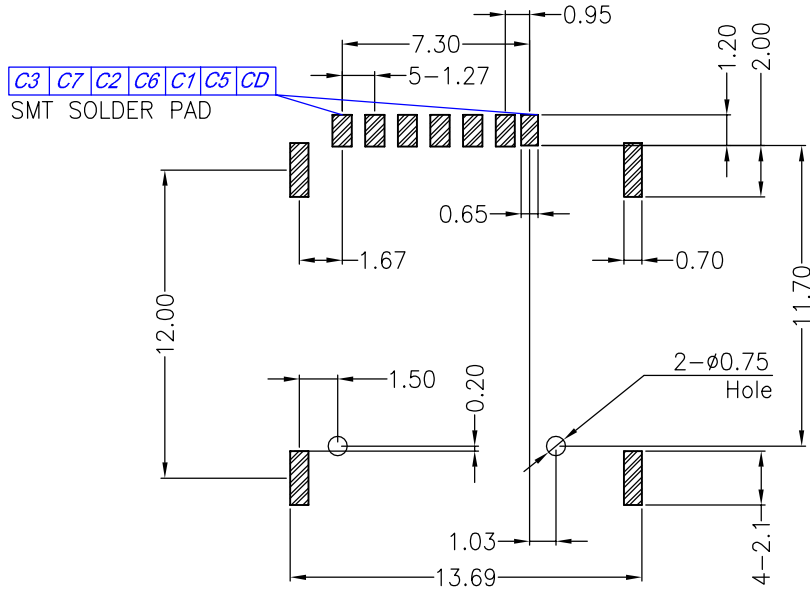
Operating Force

Inward 8.0~12.0N. (1N.=100gram-force)
 Exiting 5.0~7.0N. (1N.=100gram-force)

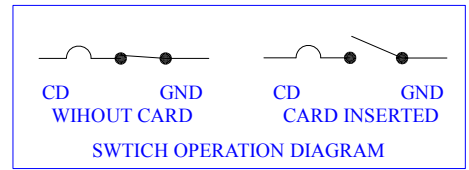
Solder-ability (Max.)

IR Reflow: 255°C, 5sec. Manual: 350°C, 3sec.

| DECIMALS | ANGLES |
|-------------|--------------|
| .X :±0.20 | X.° :±1.5° |
| .XX :±0.10 | X.X° :±1.0° |
| .XXX :±0.05 | .XXX° :±0.5° |

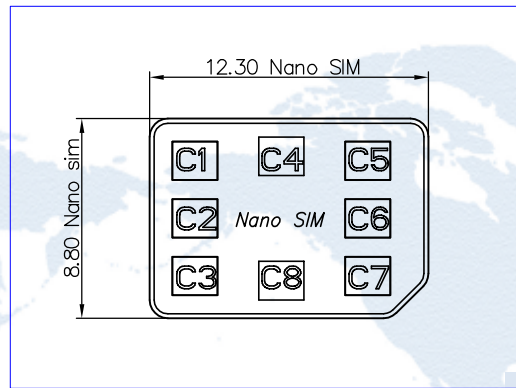


Pin definition



SIM CARD

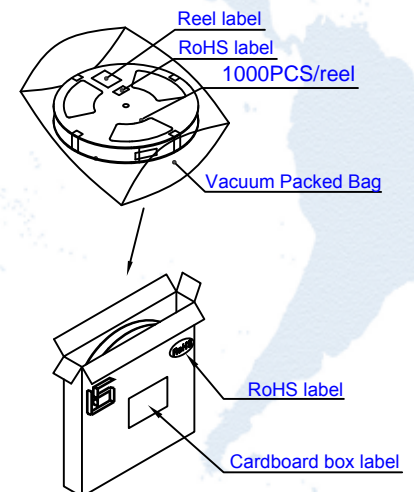
| Pin No. | Pin NAME | Type | Description |
|---------|----------|------|-------------|
| C ① | 卡電源 | 1 | VCC |
| C ② | 復位 | 1 | RST |
| C ③ | 時鐘 | 1 | CLK |
| C ⑤ | 接地 | 1 | GND |
| C ⑥ | Vpp | 1 | VPP |
| C ⑦ | 輸入/輸出 | 1 | I/O |
| CD PIN | 插卡檢測 | 1 | CARD DETECT |



NANO-SIM

Material declaration

| NAME | MATERIAL | PLATING |
|------------------|---|---------|
| ① 接觸端子 Terminal | C5210-EH (t=0.15mm)磷銅【镍基 Ni50u" 鍍金 1u"】 | G/F |
| ② 上盖 Cover | SUS304-H(t=0.12mm)不銹鋼【GND 焊点鍍金 1u"】 | AU/Ni |
| ③ 基座 Housing | LCP 耐热塑胶 (UL94V-0) BLACK | SET |
| ④ 彈簧 Spring | SUS304-EH 不銹鋼 OD=0.20mm | - |
| ⑤ 滑塊 Slider | LCP 耐热塑胶 (UL94V-0) BLACK | SET |
| ⑥ 线型拉杆 Drag Link | SUS304-EH 不銹鋼 OD=0.25mm | - |



注記 NOTICE

1. 碩方公司擁有最終解釋權; The SOFNG company reserves the right of final interpretation;
2. 文件禁止外洩、轉載; Leaked and reproduced prohibited;
3. 未經授權修改無效。Modify is invalid.

单击下面可查看定价，库存，交付和生命周期等信息

[>>SOFNG\(硕方\)](#)